

1

2

3

4

5

6

E

D

C

B

A

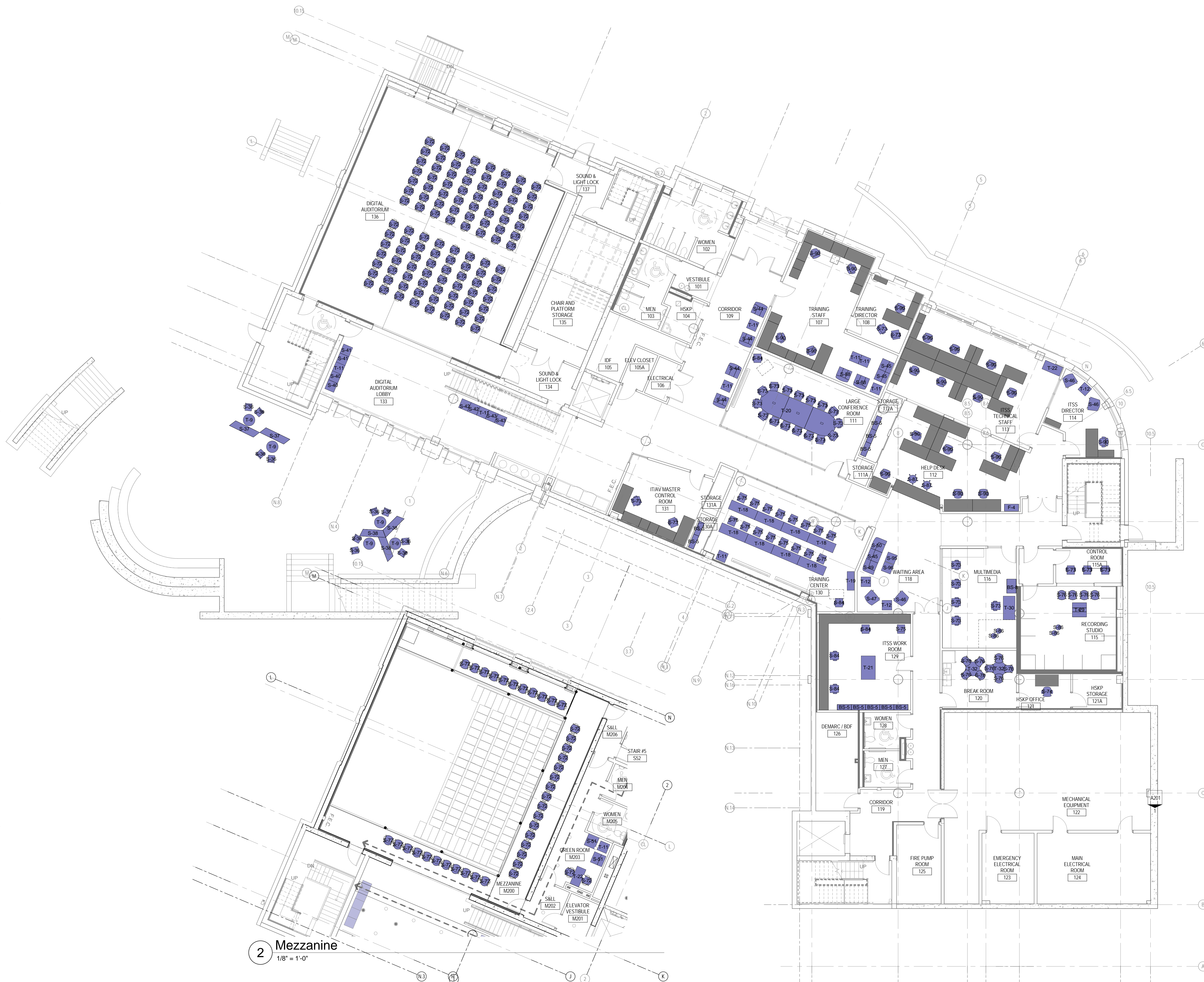
E

D

C

B

A

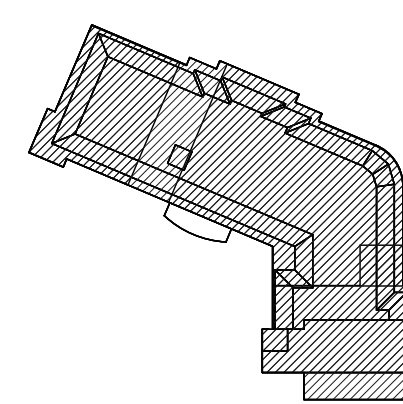


2 Mezzanine
1/8" = 1'-0"

FIRST FLOOR FURNITURE PLAN
1/8" = 1'-0"



CONSULTANT
**UNIVERSITY OF MARY WASHINGTON
FREDERICKSBURG, VIRGINIA**
INFORMATION AND TECHNOLOGY
CONVERGENCE CENTER
PROJECT CODE: 215-17671-000



MARK	DATE	DESCRIPTION
X	14 FEB 2011	DD OWNER SUBMITTAL
01	07/09/12	CONSTRUCTION DOCUMENTS
PROJECT NO: 00000.000		
DRAWN BY: Author		
CHECKED BY: Checker		

SHEET TITLE:
FIRST FLOOR PLAN

SHEET NUMBER:
A101

PRINTED: 1/3/2014 5:46:32 PM

FILE LOCATION: I:\Tran\REVIT LOCALS\CC_Furniture_2014_mlee.vt